

ambiBOX XS-S

SPECIFICATIONS



Form Factor	ambiBOX XS - S	
Processor System	Processor	Intel® Celeron® J3455
	Core Number	4C
	Frequency	1.5GHz
	L2 Cache	2MB
	BIOS	AMI Efi 64Mbit
Virtualization		VT-x, VT-d
Memory	Technology	DDR3L 1600/1866MHz
	Capacity	8GB
	Socket	1 x 204-pin SO-DIMM
	ECC Support	Non-ECC
Networking	Controller	4 x Intel i210-AT
	1 GbE	4 x 10/100/1000BASE-T RJ45 port
Expansion	M.2 PCIe	1 x M.2 2230 for WiFi/BT module, 2 antenna holes 1 x M.2 3042 for 3G/4G LTE module, 2 antenna holes
	SIM Socket	1 x Mini SIM type (25 x 15mm)
Storage	M.2 SSD	1 x M.2 64 GB SATA3.0 SSD
Display		1 x HDMI port
I/O	Console port	1 x RJ45
	USB2.0	2 x USB2.0 Type A host port
	LED Indicator	Power, HDD, 4G LTE, WiFi, Software-defined status
	Others	1 x Power button 1 x Software-defined button
TPM		TPM1.2 (Optional TPM2.0 or non-TPM by request)
External Power Adaptor	Power Type	ATX mode
	Watts	36W
	Input	100 ~ 240V _{AC} , 50/60Hz
	Connector	DC Jack
	Output	12V _{DC} 3A, 36W
Environment	Operating Temperature	0 ~ 40 °C (32 ~ 104 °F) with 0.7m/s air flow
	Non-operating Temperature	-40 ~ 85 °C (-40 ~ 185 °F) and 40 °C @ 95% RH Non-Condensing
Cooling		Fan-less
Mechanical	Construction	Iron
	Mounting	Optional DIN-Rail, Wall and VESA mounting kit
	Dimensions (W x H x D)	152 x 21 x 125 mm (5.9" x 0.8" x 4.9")
	Weight	0.7 Kg (1.55lb)
Certification	Safety	UL, CB, CCC
	EMC	CE EN55032/EN55024 ClassB, FCC ClassB, AS/NZS CISPR3
	ROHS	ROHS, REACH, WEEE

Features

- ✓ Industry-standard x86 router for SOHO and small enterprise installations
- ✓ Certified by key eco-system partners in NFV and security industry
- ✓ Tiny physical appearance and fan-less design supported by optional Wall/VESA/DIN-rail mounting kit
- ✓ Quad 1GbE RJ45 with optional 3G/4G LTE and Wifi connectivity
- ✓ Optional TPM2.0 or Non-TPM supported by request

CONTACT

You can reach us here.



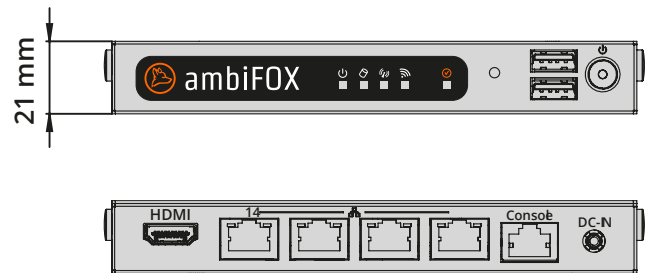
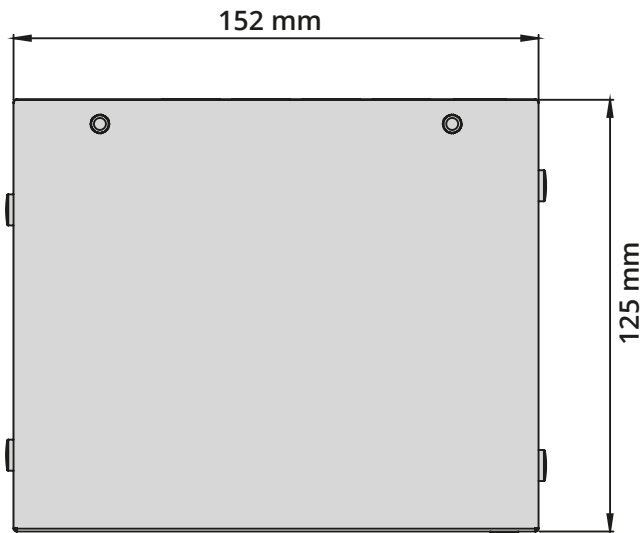
- 🏠 Fleehook 1, 48683 Ahaus, Germany
- 🌐 www.ambiFOX.com
- ✉ ambiWAN@ambiFOX.com

ambiBOX XS-S

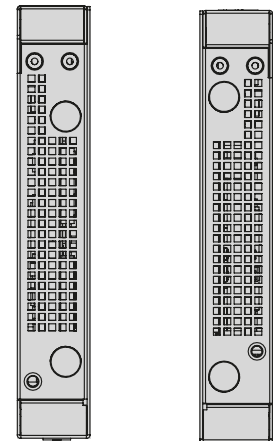
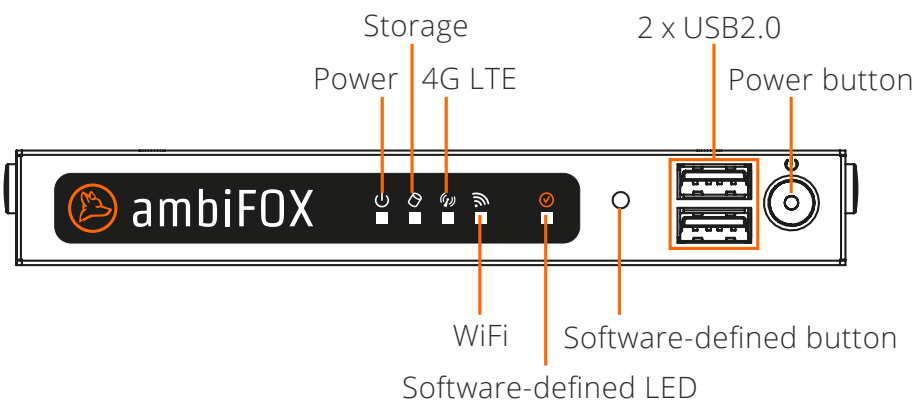
SPECIFICATIONS



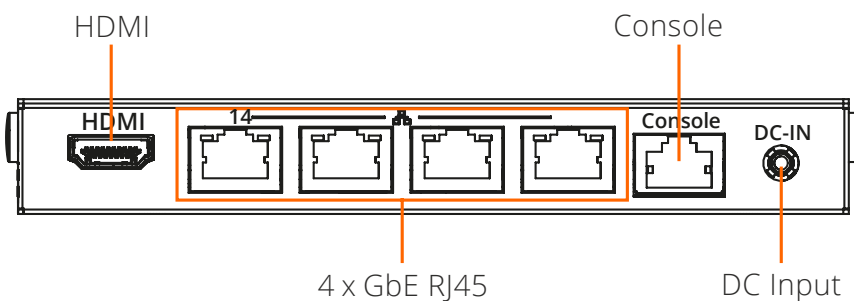
Dimensions



Front Panel External I/O Mechanical Drawing



Rear Panel External I/O Mechanical Drawing



CONTACT

You can reach us here.



- 🏠 Fleehook 1, 48683 Ahaus, Germany
- 🌐 www.ambiFOX.com
- ✉ ambiWAN@ambiFOX.com